

RS seal, with core, acid proof stainless steel fittings

RS-tiivisteet ytimellä, helat haponkestävää ruostumatonta terästä »

Муфты RS, с сердечником, накладки из кислотоустойчивой, нержавеющей стали »

RS-tätning, med kärna, syrafasta rostfria beslag »

Passaggio circolare RS, parti in acciaio inox resistente agli acidi, con nucleo



RS 23 AISI 316

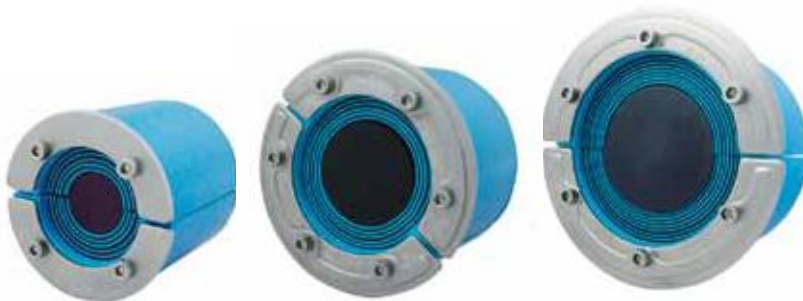
RS 25 AISI 316

RS 31 AISI 316

RS 43 AISI 316

RS 50 AISI 316

RS 68 AISI 316



RS 75 AISI 316

RS 100 AISI 316

RS 125 AISI 316



Accessories

For installation instructions, please see chapter Frame Installation Manual.

RATINGS	Fire: A-Class, H-Class, EI 60/120, UL1479	Water pressure: 4 bar	Gas pressure: 2.5 bar
----------------	---	-----------------------	-----------------------

	Kaapelille/putkelle (mm) (in)		Aukon halkaisija Ø (mm) Ø (in)		Paino (kg) (lb)		Tuotenumero
	Диаметр кабеля/трубы мм (дюйм)		Размеры отверстия Ø (мм) Ø (дюйм)		Вес (кг) (фунт)		
FI	Tiviste						
RU	Муфта						Арт. №
SE	För kabel/rör (mm) (tum)		För håldiameter Ø (mm) Ø (tum)		Vikt (kg) (lb)		Artikelnummer
IT	Passaggio circolare		Per foro diametro Ø (mm) Ø (in)		Peso (kg) (lb)		
GB	For cable/pipe (mm) (in)		For hole diameter Ø (mm) Ø (in)		Weight (kg) (lb)		Art. No.
	RS 23 AISI 316	0+3.6-11 0+0.142-0.433	23.5 - 24.0	0.925 - 0.945	0.04	0.086	
	RS 25 AISI 316	0+3.6-12 0+0.142-0.472	25.5 - 26.0	1.004 - 1.024	0.04	0.093	RS00100251023
	RS 31 AISI 316	0+4-17 0+0.157-0.669	31.5 - 32.0	1.240 - 1.260	0.06	0.132	RS00100311023
	RS 43 AISI 316	0+4-23 0+0.157-0.906	43.5 - 44.0	1.713 - 1.732	0.2	0.529	RS00100431023
	RS 50 AISI 316	0+8-30 0+0.315-1.181	50.5 - 51.0	1.988 - 2.008	0.3	0.639	RS00100501023
	RS 68 AISI 316	0+26-48 0+1.024-1.890	69.0 - 70.0	2.717 - 2.756	0.5	1.102	RS00100681023
	RS 75 AISI 316	0+26-48 0+1.024-1.890	76.0 - 77.0	2.992 - 3.031	0.7	1.543	RS00100751023
	RS 100 AISI 316	0+48-70 0+1.890-2.756	101.0 - 102.0	3.976 - 4.016	1.0	2.205	RS00101001023
	RS 125 AISI 316	0+66-98 0+2.598-3.858	126.0 - 127.0	4.961 - 5.000	1.6	3.417	RS00101251023

RS seal, without core, acid proof stainless steel fittings

RS-tiivisteet ilman ydintä, helat haponkestävää ruostumatonta terästä »

Муфты RS, без сердечника, накладки из кислотоустойчивой, нержавеющей стали »

RS-tätning, utan kärna, syrafasta rostfria beslag »

Passaggio circolare RS, parti in acciaio inox resistente agli acidi, senza nucleo



RS 100 AISI 316 woc

RS 125 AISI 316 woc

RS 150 AISI 316 woc

RS 225 AISI 316 woc

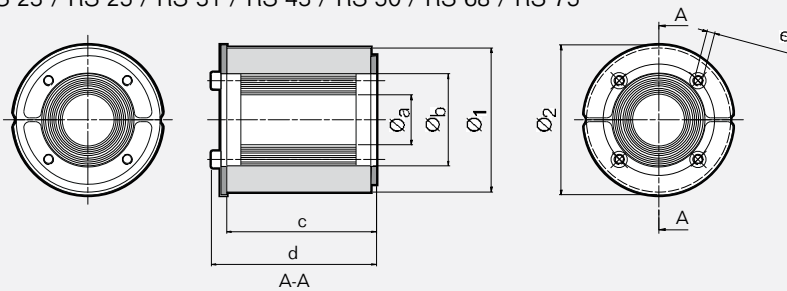
RATINGS	Fire: A-Class, H-Class, EI 60/120, UL1479	Water pressure: 4 bar	Gas pressure: 2.5 bar
----------------	--	------------------------------	------------------------------

	Kaapelille/putkelle (mm) (in)		Aukon halkaisija Ø (mm) Ø (in)		Paino (kg) (lb)		Tuotenumero
	Диаметр кабеля/трубы (мм) (дюйм)		Размеры отверстия Ø (мм) Ø (дюйм)		Вес (кг) (фунт)		
FI Tiiviste	För kabel/rör (mm) (tum)		För håldiameter Ø (mm) Ø (tum)		Vikt (kg) (tum)		Artikelnummer
RU Муфта	Per cavo/tubo (mm) (in)		Per foro diametro Ø (mm) Ø (in)		Peso (kg) (lb)		
SE Tätning	For cable/pipe (mm) (in)		For hole diameter Ø (mm) Ø (in)		Weight (kg) (lb)		Art. No.
IT Passaggio circolare							
GB Seal							
RS 100 AISI 316 woc	48-70	1.890-2.756	101.0 - 102.0	3.976 - 4.016	0.8	1.874	RS00001001023
RS 125 AISI 316 woc	66-98	2.598-3.858	126.0 - 127.0	4.961 - 5.000	1.2	2.756	RS00001251023
RS 150 AISI 316 woc	93-119	3.661-4.685	151.0 - 152.0	5.945 - 5.984	1.6	3.417	RS00001501023
RS 175 AISI 316 woc	119-145	4.685-5.709	176.0 - 177.0	6.929 - 6.968	1.9	4.189	RS00001751023
RS 200 AISI 316 woc	138-170	5.433-6.693	202.0 - 204.0	7.953 - 8.031	2.6	5.732	RS00002000021
RS 225 AISI 316 woc	151-181	5.929-8.858	227.0 - 229.0	8.937 - 9.016	3.1	6.834	RS00002250021
RS 250 AISI 316 woc	176-206	6.913-8.110	252.0 - 254.0	9.921 - 10.000	3.3	7.275	RS00002500021
RS 300 AISI 316 woc	206-236	8.094-9.291	302.0 - 304.0	11.890 - 11.968	5.7	12.566	RS00003000021
RS 350 AISI 316 woc	244-286	9.614-11.259	352.0 - 354.0	13.858 - 13.937	7.3	16.094	RS00003500021
RS 400 AISI 316 woc	294-336	11.583-13.228	402.0 - 404.0	15.827 - 15.905	8.9	19.621	RS00004000021
RS 450 AISI 316 woc	344-386	13.551-15.197	452.0 - 454.0	17.795 - 17.874	10.7	23.589	RS00004500021
RS 500 AISI 316 woc	394-436	15.519-17.165	502.0 - 504.0	19.764 - 19.842	13.0	28.660	RS00005000021
RS 550 AISI 316 woc	444-486	17.488-19.134	552.0 - 554.0	21.732 - 21.811	14.4	31.746	RS00005500021
RS 600 AISI 316 woc	494-536	19.457-21.102	602.0 - 604.0	23.701 - 23.780	15.7	34.612	RS00006000021
RS 644 AISI 316 woc	538-580	21.189-22.835	646.0 - 648.0	25.433 - 25.512	17.0	37.478	RS00006440021

RS seal, technical information

RS-tiivisteiden tekniset tiedot » Муфты RS, техническая информация » RS-tätning, teknisk information »
 Passaggio circolare RS, informazioni tecniche

RS 23 / RS 25 / RS 31 / RS 43 / RS 50 / RS 68 / RS 75

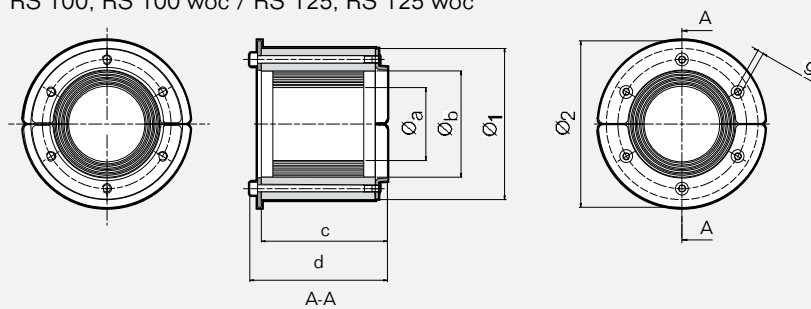


Note: All dimensions are nominal values
 Huomaa: Kaikki mitat ovat nimellisarvoja
 Внимание: Все размеры номинальные
 Obs: Angivna mått är nominella
 Nota: Tutte le dimensioni sono valori nominali

Pos	RS 23		RS 25		RS 31		RS 43		RS 50		RS 68		RS 75	
	(mm)	(in)	(mm)	(in)	(mm)	(in)	(mm)	(in)	(mm)	(in)	(mm)	(in)	(mm)	(in)
Ø _a	3.6	0.142	3.6	0.142	4	0.157	4	0.157	8	0.315	26	1.024	26	1.024
Ø _b	11	0.433	12	0.472	17	0.669	23	0.906	30	1.181	48	1.890	48	1.890
Ø ₁	23	0.906	25	0.984	31	1.220	43	1.693	50	1.969	68	2.677	75	2.953
Ø ₂	29	1.142	30	1.181	37	1.457	53	2.087	60	2.362	78	3.071	78	3.071
c	40	1.575	40	1.575	40	1.575	78	3.071	78	3.071	78	3.071	78	3.071
d	44	1.732	44	1.732	44	1.732	85	3.346	85	3.346	85	3.346	85	3.346
e	*	*	*	*	*	*	**	**	**	**	**	**	**	**

* SW2.5 mm (4x) / SW0.098" (4x) ** SW4 mm (4x) / SW0.157" (4x)

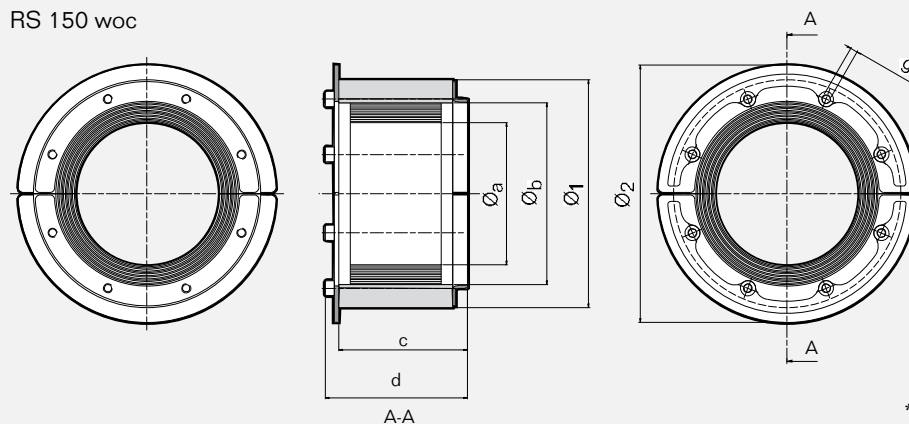
RS 100, RS 100 woc / RS 125, RS 125 woc



Pos	RS 100 (woc)		RS 125 (woc)	
	(mm)	(in)	(mm)	(in)
Ø _a	48	1.890	66	2.598
Ø _b	70	2.756	98	3.858
Ø ₁	100	3.937	125	4.921
Ø ₂	110	4.331	145	5.709
c	83	3.268	83	3.268
d	90	3.543	92	3.622
e	***	***	****	****

*** SW4 mm (6x) / SW0.157" (6x)
 **** SW5 mm (6x) / SW0.197" (6x)

RS 150 woc



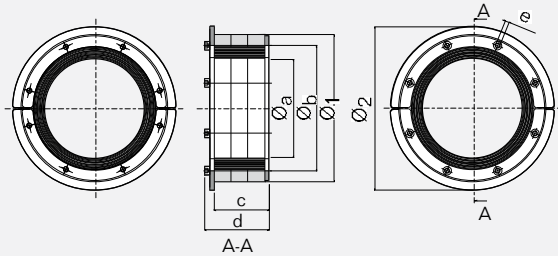
Pos	RS 150 woc	
	(mm)	(in)
Ø _a	93	3.661
Ø _b	119	4.685
Ø ₁	150	5.906
Ø ₂	170	6.693
c	85	3.346
d	94	3.700
e	*****	*****

***** SW5 mm (8x) / SW0.197" (8x)

RS seal, technical information

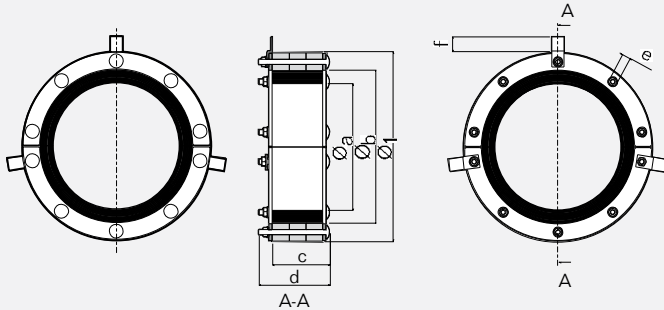
RS-tiivisteiden tekniset tiedot » Муфты RS, техническая информация » RS-tätning, teknisk information »
 Passaggio circolare RS, informazioni tecniche

RS 175 woc / RS 200 woc



Pos	RS 175 (woc)		RS 200 (woc)	
	(mm)	(in)	(mm)	(in)
Ø _a	119	4.685	138	5.433
Ø _b	147	5.787	170	6.693
Ø ₁	175	6.890	200	7.874
Ø ₂	195	7.677	220	8.661
c	65	2.559	65	2.559
d	76	2.992	70	2.756
e	*	*	*	*

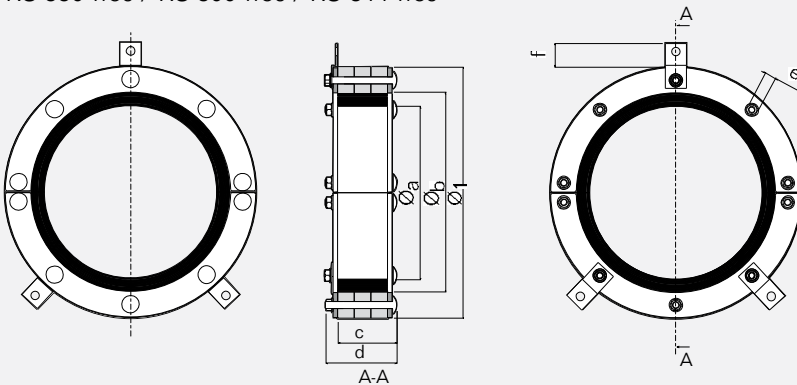
RS 225 woc / RS 250 woc



* SW 5 mm (8x) / SW 0.197" (8x)

Pos	RS 225 (woc)		RS 250 (woc)	
	(mm)	(in)	(mm)	(in)
Ø _a	151	5.929	176	6.913
Ø _b	181	7.126	206	8.110
Ø ₁	225	8.858	250	9.843
c	68	2.672	69	2.696
d	84	3.302	85	3.326
f	19	0.743	19	0.743
e	**	**	**	**

RS 300 woc / RS 350 woc / RS 400 woc / RS 450 woc / RS 500 woc /
 RS 550 woc / RS 600 woc / RS 644 woc



** SW 10 mm (10x) / SW 0.394" (10x)

Note: All dimensions are nominal values
 Huomaa: Kaikki mitat ovat nimellisarvoja
 Внимание: Все размеры номинальные
 Obs: Angivna mått är nominella
 Nota: tutte le dimensioni sono valori nominali

Pos	RS 300 (woc)		RS 350 (woc)		RS 400 (woc)		RS 450 (woc)		RS 500 (woc)		RS 550 (woc)		RS 600 (woc)		RS 644 (woc)	
	(mm)	(in)	(mm)	(in)	(mm)	(in)	(mm)	(in)	(mm)	(in)	(mm)	(in)	(mm)	(in)	(mm)	(in)
c	71	2.775	71	2.775	71	2.775	71	2.775	74	2.889	74	2.889	74	2.889	74	2.889
d	85	3.342	85	3.342	86	3.357	96	3.755	96	3.755	96	3.755	96	3.755	96	3.755
Ø _a	206	8.094	244	9.614	294	11.583	344	13.551	394	15.519	444	17.488	494	19.457	538	21.189
Ø _b	236	9.291	286	11.259	336	13.228	386	15.197	436	17.165	486	19.134	536	21.102	580	22.835
Ø ₁	300	11.811	350	13.779	400	15.748	450	17.717	500	19.685	550	21.654	600	23.622	644	25.354
f	28	1.102	28	1.102	28	1.102	28	1.102	28	1.102	28	1.102	28	1.102	28	1.102
e	***	***	***	***	***	***	****	****	****	****	****	****	****	****	****	****

*** SW 13 mm (10x) / SW 0.512" (10x) **** SW 17 mm (10x) / SW 0.669" (10x)